

SIGHT GLASS



SIGHT GLASS 玻璃視窗零件表



N0	Designation	QTY	Material
1	Body	2	SS304/SS316L
2	Seal	2	EPDM/Silicon/Viton
3	High pressure clean glass	1	Glass
4	Screw bolt	1"~3"=4 4"=6	SS304
5	M6 Nut	1"~3"=8 4"=12	SS304
6	M6 Ring	1"~3"=8 4"=12	SS304

Composition

Content	SiO ₂	Al ₂ O ₃	Fe ₂ O ₃	B ₂ O ₃	Na ₂ O	K ₂ O
%	80.9	2.3	0.03	12.7	4.0	0.04

Physical Properties

Description	Value
Specific heat (25°) Average(25-400°C)	0.17 cal/g.°C 0.233 cal°C
Thermal Conductivity (25°C) (100°C)	0.0026 cal/cm.sec°C 0.0030 cal/cm.sec°C
Linear coefficient of Expansion	32.5-10 ⁻⁷ /°C
Density	2.23g/cm ³

Mechanical strength of internal pressure of PYREX borosilicate glass tubes

Size	1"	1.5"	2"	2.5"	3"	4"
Max. Pressure (Bar)	13	10	12	9	8	6

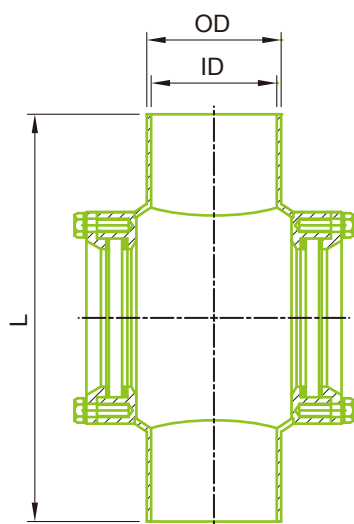
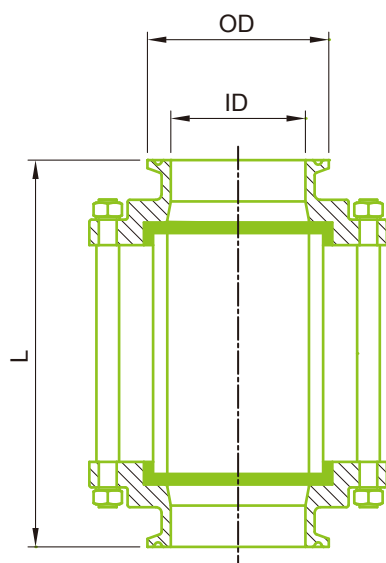
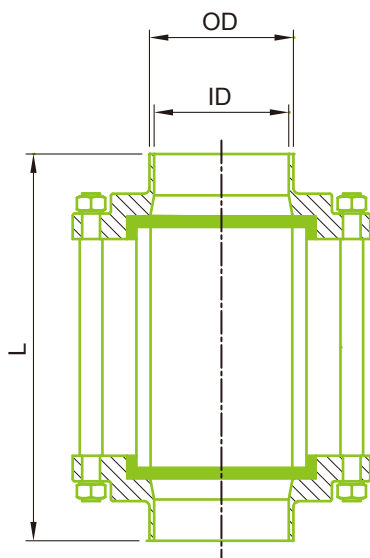
Material

- Steel parts: Stainless steel
SS304 or SS316L
- Screw blot: Stainless steel SS303.
- Seal rings: EPDM rubber or Silicon
- Finish: Semi bright.

Ordering

- Please state the following items when ordering:
 - Size.
 - Steel grade, AISI 304 or AISI 316L.
 - Rubber grade if not EPDM.

SIGHT GLASS 玻璃視窗



3A Sight Glass Weld End

Size	ID mm	OD mm	L mm
1.0"	22.1	25.4	128.5
1.5"	34.9	38.1	128.5
2.0"	47.5	50.8	132.5
2.5"	60.2	63.5	136.5
3.0"	72	76.2	136.5
4.0"	97.5	101.6	148.5

SMS Sight Glass Weld End

Size	ID mm	OD mm	L mm
DN25	22.5	25	128.5
DN38	35.4	38	128.5
DN51	48	51	132.5
DN63.5	60.2	63.5	136.5
DN76	72	76	136.5
DN104	100	104	148.5

DIN Sight Glass Weld End

Size	ID mm	OD mm	L mm
DN10	10	13	144
DN15	16	19	144
DN20	20	23	144
DN25	25	28	144
DN32	31	34	152
DN40	37	40	152
DN50	49	52	156
DN65	66	70	158
DN80	81	85	160
DN104	100	104	164

3A Sight Glass Clamp End

Size	ID mm	OD mm	L mm
1.0"	22.1	50.5	136.5
1.5"	34.8	50.5	136.5
2.0"	47.5	64	136.5
2.5"	60.3	77.5	136.5
3.0"	73	91	136.5
4.0"	97.5	119	176.5

Ball Type Sight Glass Weld End

Size	ID mm	OD mm	L mm
1.0"	22.1	25.4	120
1.5"	34.9	38.1	120
2.0"	47.5	50.8	154
2.5"	60.2	63.5	200
3.0"	72	76.2	210
4.0"	97.5	101.6	240