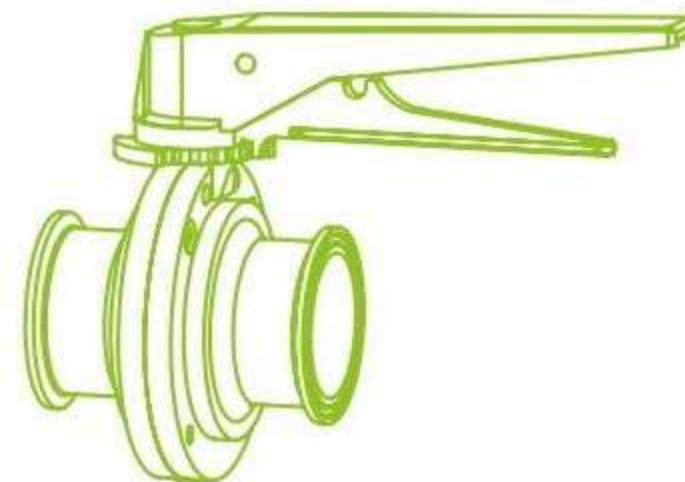
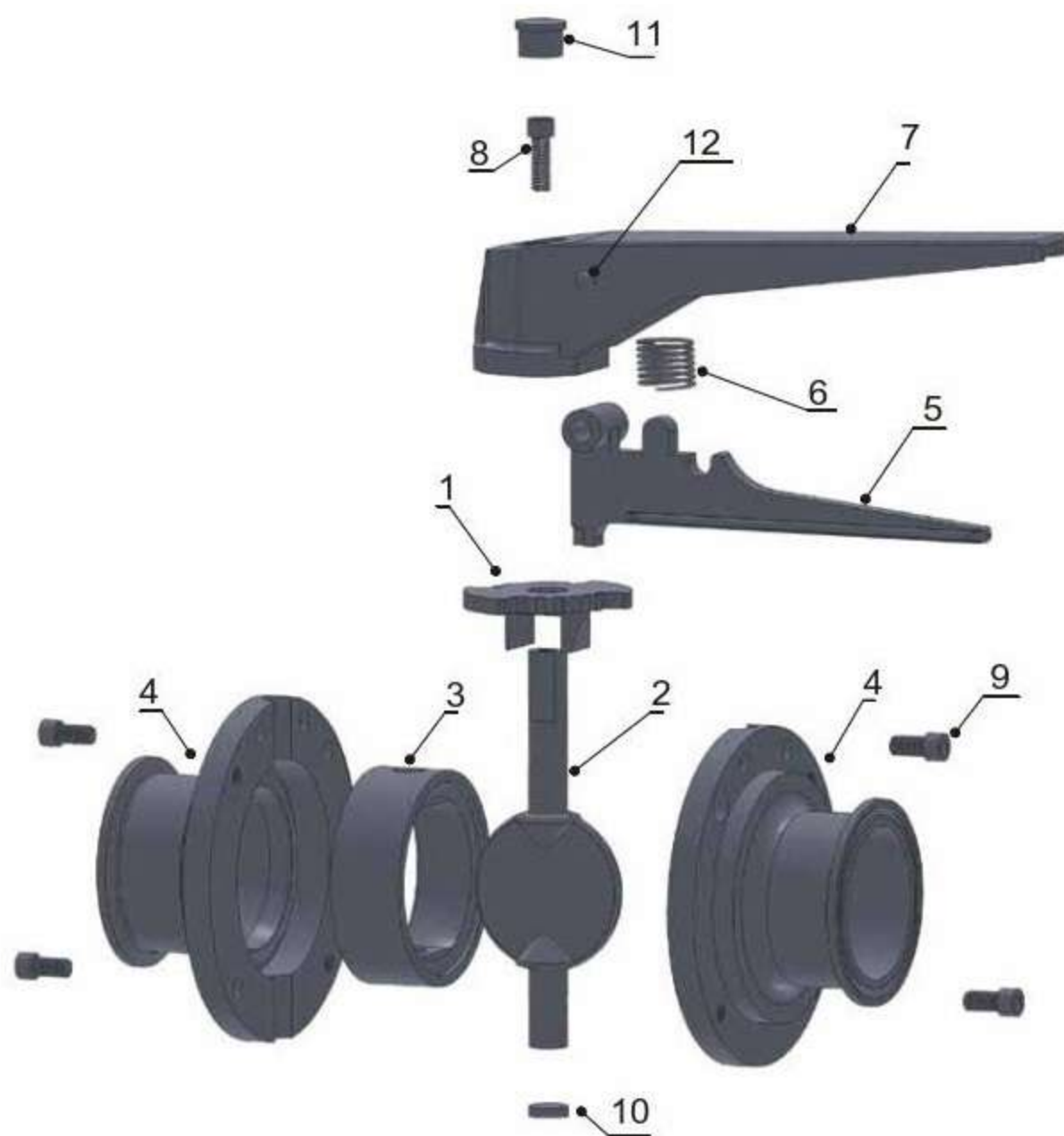


BUTTERFLY VALVE



BUTTERFLY VALVE 碟閥技術資料



Technical Data

- Max. product pressure: 10bar
- Min.product pressure: Fullvacuum.
- Temperature range: -10° to +95°C (EPDM)
-10° to +225°C (Silicon)
-15° to +200°C (Viton)

Materials

- Product wetted steel parts: AISI 304 OR AISI 316L.
- Finish: Semi-bright.
- Other steel parts: AISI 304.
- Rubber gardes: EPDM, Silicon or VITON.

Ordering

Please state the following when ordering:

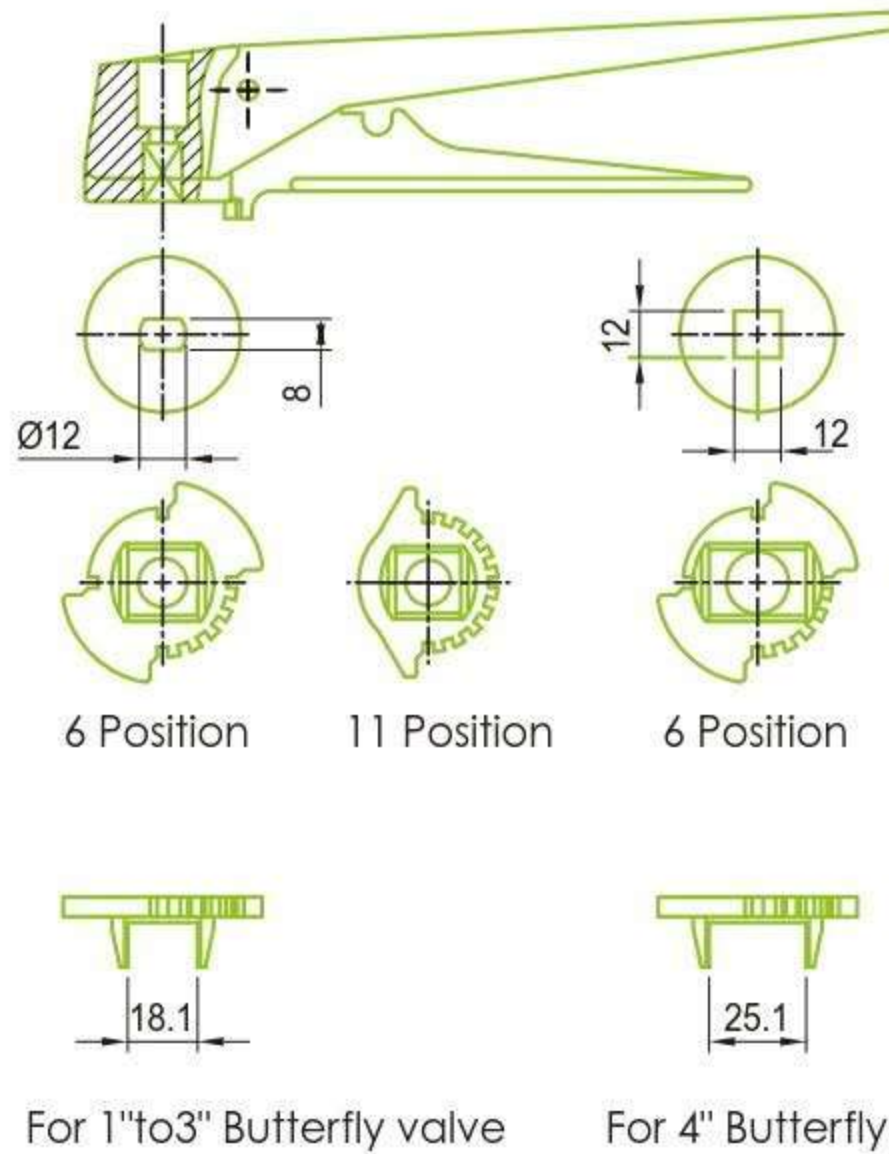
- Valve type.
- Valve size.
- Connections. if not welding ends.
- Materials: AISI 304 or AISI 316L.
- Rubber garde:EPDM, Silicon, or Viton
- Type of handle, if required.

N0	DESIGNATION	QTY	Material
1	Notch plate	1	SS304
2	Disc	1	SS304/SS316L
3	Seal	1	EPDM/Silicon/VITON
4	Body	2	SS304/SS316L
5	Girpper bar	1	SS304
6	Spring	1	SS304
7	Handle	1	Nylon Or SS304
8	Screw(M6x16)	1	SS304
9	Screw(M6x11)	4	SS304
10	Seat	1	EPDM
11	Bush	1	PE
12	Pin	1	SS304

Torque for Open/Close (for rotating the valve disc in a dry seal ring)

Size	Max.Nm
1" / DN25	6
1.5" / DN38	8
2" / DN51	12
2.5" DN63.5	14
3" / DN76	16
4" / DN104	25
6"	35

BUTTERFLY VALVE HANDLES 碟閥把手



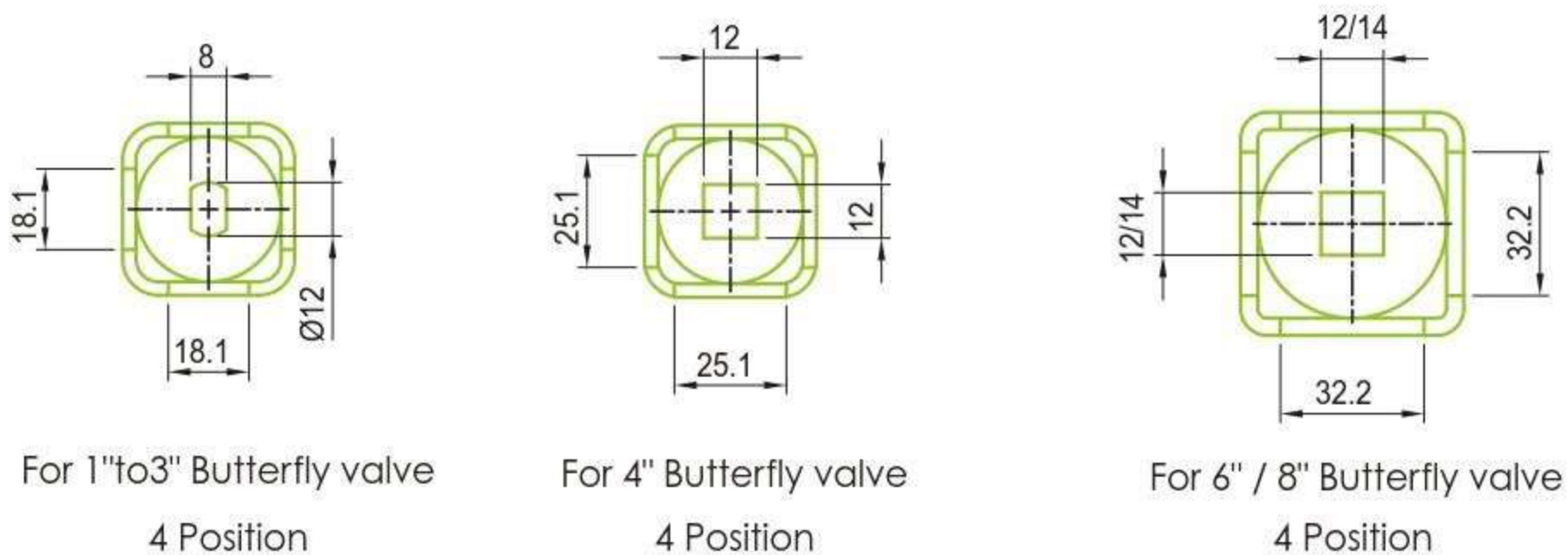
Materials:

- Handle : Nylon 6+30% glass fiber or AISI 304
- Gripper bar : AISI 304
- Notch : AISI 304



Materials:

- Handle : Stainless steel 304 with knob.

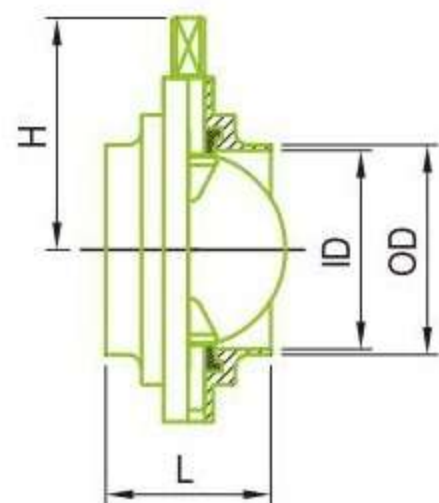


For 1"to3" Butterfly valve
4 Position

For 4" Butterfly valve
4 Position

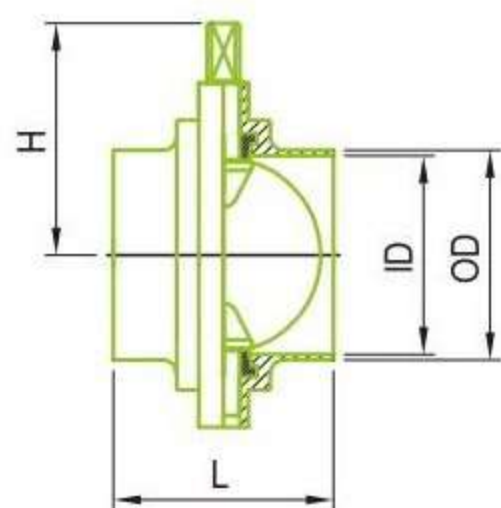
For 6" / 8" Butterfly valve
4 Position

BUTTERFLY VALVES 碟閥



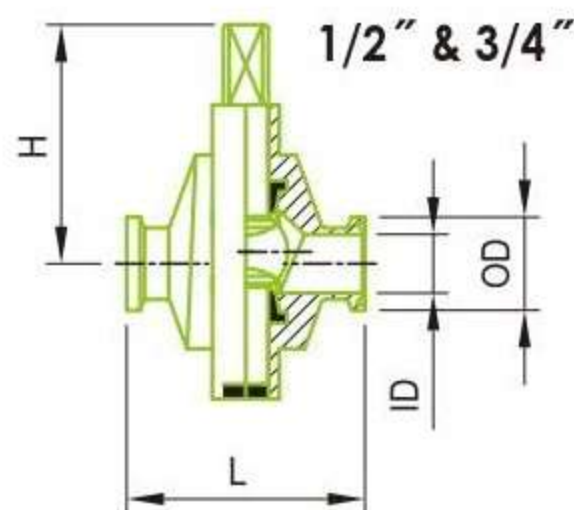
Inch Size Weld Butterfly Valves 英制焊式蝶閥

Size	ID mm	OD mm	L mm	H mm
1.0"	22.1	25.4	52	61
1.5"	34.8	38.1	52	64.3
2.0"	47.5	50.8	54	74.3
2.5"	60.2	63.5	56	77.6
3.0"	72.9	76.2	60	84.8
4.0"	97.6	101.6	72	101.7
6.0"	146.4	152.4	143	133.5
8.0"	197.7	203.3	136	158.5



SMS Weld Butterfly Valves SMS 焊式蝶閥

Size	ID mm	OD mm	L mm	H mm
DN25	22.5	25	68	61
DN38	35.4	38	76	64.3
DN51	48	51	80	74.3
DN63	60.3	63.5	80	77.6
DN76	72.9	76.1	82	84.8
DN104	100	104	88	101.7



DIN Weld Butterfly Valves DIN 焊式蝶閥

Size	ID mm	OD mm	L mm	H mm
DN15	16	19	60	52
DN20	19	23	64	61
DN25	25	28	68	61
DN32	31	34	76	64.3
DN40	37	40	76	66.7
DN50	49	52	80	74.3
DN70	66	70	82	81.5
DN85	81	85	84	91.6
DN104	100	104	88	101.7
DN125	125	132	120	116.2
DN150	150	157	124	131.1

(LONG) 長夾式蝶閥

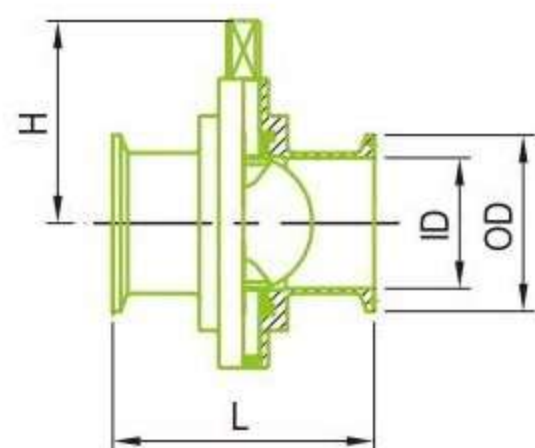
Inch Size Clamp Butterfly Valves

Size	ID mm	OD mm	L mm	H mm
1/2"	9.4	25	64	61
3/4"	15.8	25	64	61
1.0"	22.1	50.5	90	61
1.5"	34.8	50.5	90	64.3
2.0"	47.5	64	95	74.3
2.5"	60.2	77.5	97	77.6
3.0"	72.9	91	103	84.8
4.0"	97.6	119	103	101.7
6.0"	146.4	166.8	143	133.5
8.0"	197.7	217.7	136	158.5

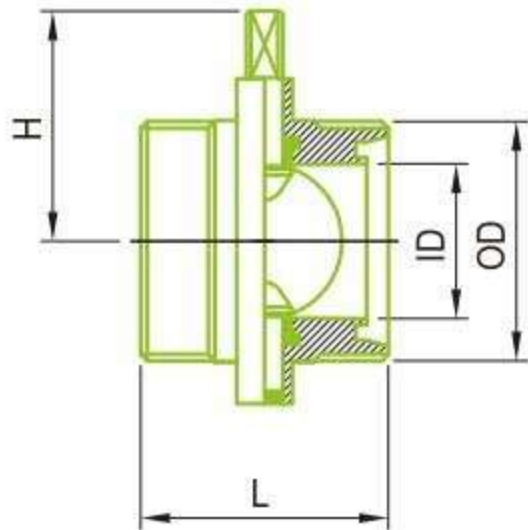
(SHORT) 短夾式蝶閥

Inch Size Clamp Butterfly Valves

Size	ID mm	OD mm	L mm	H mm
1.0"	22.1	50.5	60	61
1.5"	34.8	50.5	60	64.3
2.0"	47.5	64	60	74.3
2.5"	60.2	77.5	60	77.6
3.0"	72.9	91	60	84.8

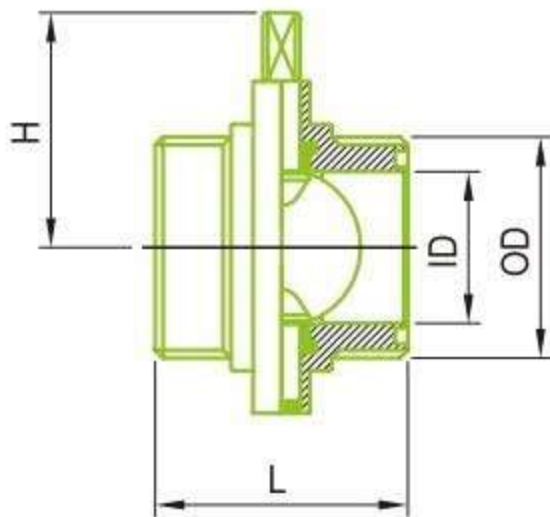


BUTTERFLY VALVES



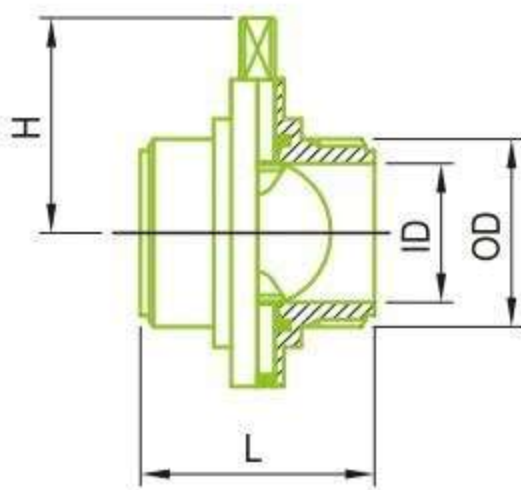
DIN Male Butterfly Valves DIN牙口碟閥

Size	ID mm	OD mm	L mm	H mm
DN25	25	RD52 x 1/6	68	61
DN34	32	RD58 x 1/6	76	63.3
DN40	38	RD65 x 1/6	76	66.7
DN50	50	RD78 x 1/6	80	74.3
DN70	66	RD95 x 1/6	82	81.5
DN85	81	RD110 x 1/4	84	91.6
DN104	100	RD130 x 1/4	100	101.7



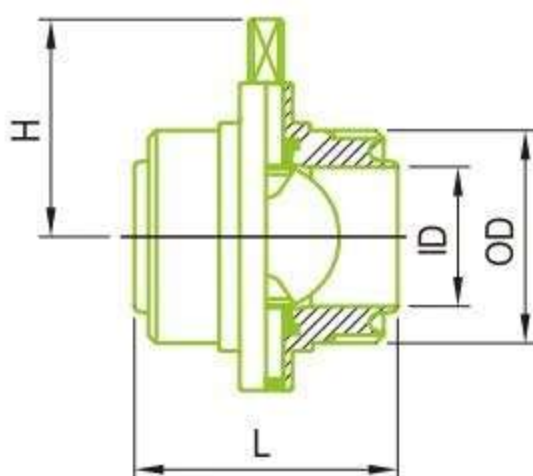
SMS Male Butterfly Valves SMS牙口碟閥

Size	ID mm	OD mm	L mm	H mm
DN25	22.5	RD40 x 1/6	68	61
DN38	35.4	RD60 x 1/6	76	64.3
DN51	48	RD70 x 1/6	80	74.3
DN63	60.2	RD85 x 1/6	80	77.6
DN76	72.1	RD98 x 1/6	82	84.8
DN104	100	RD125 x 1/4	88	101.7



IDF Male Butterfly Valves IDF牙口碟閥

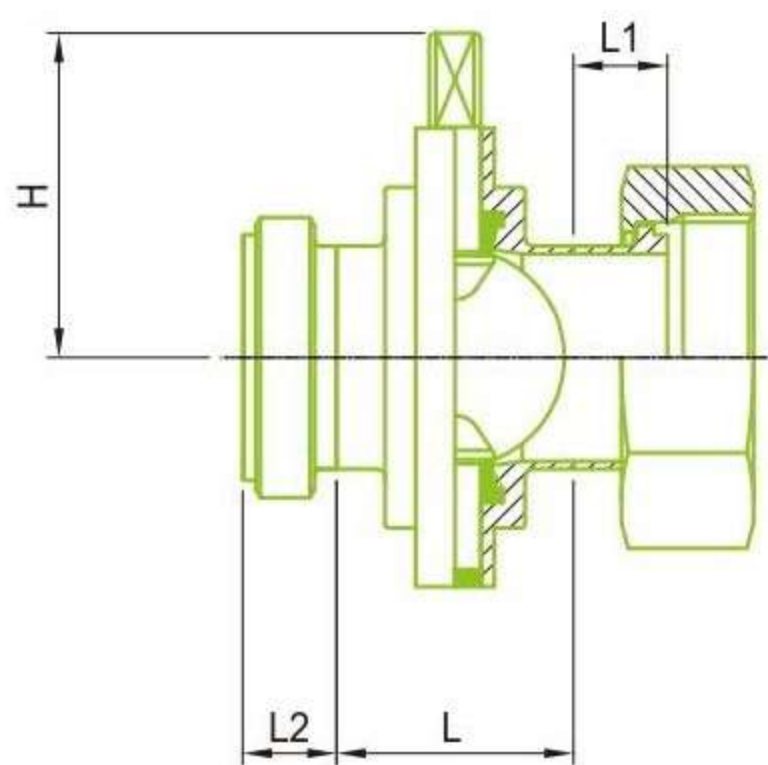
Size	ID mm	OD mm	L mm	H mm
1.0"	22.1	37.13 x 8TPI ACME	80	61
1-1/2"	34.9	50.65 x 8TPI ACME	80	64.3
2.0"	47.5	64.16 x 8TPI ACME	80	74.3
2-1/2"	60.3	77.76 x 8TPI ACME	80	77.6
3.0"	73	91.19 x 8TPI ACME	80	84.8
4.0"	97.6	125.9 x 6TPI ACME	100	101.7



RJT Male Butterfly Valves RJT牙口碟閥

Size	ID mm	OD mm	L mm	H mm
1.0"	22.1	45.72 x 8T WHIT	80	61
1-1/2"	34.9	58.42 x 8T WHIT	90	64.3
2.0"	47.5	72.72 x 6T WHIT	90	74.3
2-1/2"	60.3	85.42 x 6T WHIT	90	77.6
3.0"	72.9	98.12 x 6T WHIT	90	84.8
4.0"	97.6	123.82 x 6T WHIT	100	101.7

BUTTERFLY VALVES 由任式碟閥



IDF Male part - nut and liner

Size	L mm	L1 mm	L2 mm	H mm
1.0"	52	21.5	21.5	61
1.5"	52	21.5	21.5	64.3
2.0"	54	21.5	21.5	74.3
2.5"	56	21.5	21.5	77.6
3.0"	60	21.5	21.5	84.8
4.0"	72	30.0	30.0	101.7

RJT Male part - nut and liner

Size	L mm	L1 mm	L2 mm	H mm
1.0"	52	19.5	27.0	61
1.5"	52	19.5	27.0	64.3
2.0"	54	19.5	27.0	74.3
2.5"	56	19.5	27.0	77.6
3.0"	60	19.5	27.0	84.8
4.0"	72	19.5	27.0	101.7

3A Male part - nut and liner

Size	L mm	L1 mm	L2 mm	H mm
1.0"	52	18.3	18.3	61
1.5"	52	18.3	18.3	64.3
2.0"	54	19.1	19.1	74.3
2.5"	56	22.3	22.2	77.6
3.0"	60	23.1	23.1	84.8
4.0"	72	26.2	26.2	101.7

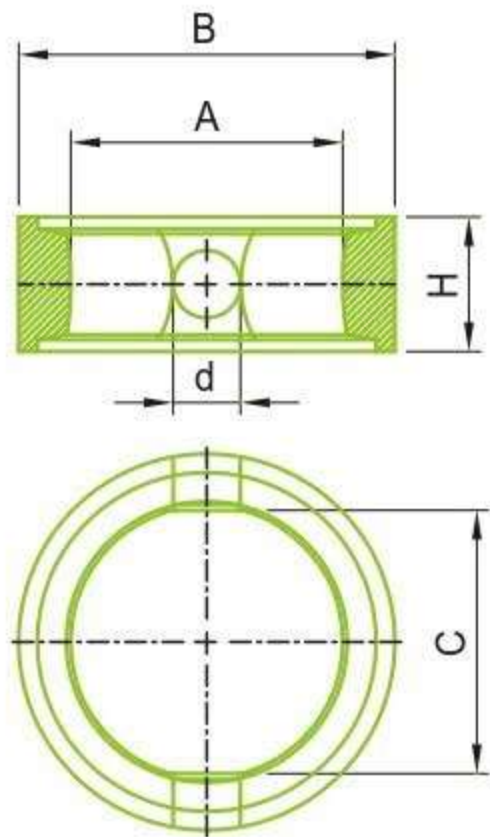
SMS Male part - nut and liner

Size	L mm	L1 mm	L2 mm	H mm
DN25	52	15.5	19	61
DN38	52	16.0	23	64.3
DN51	54	17.0	23	74.3
DN63.5	56	17.0	27	77.6
DN76	60	19.0	27	84.8
DN104	88	19.0	30	101.7

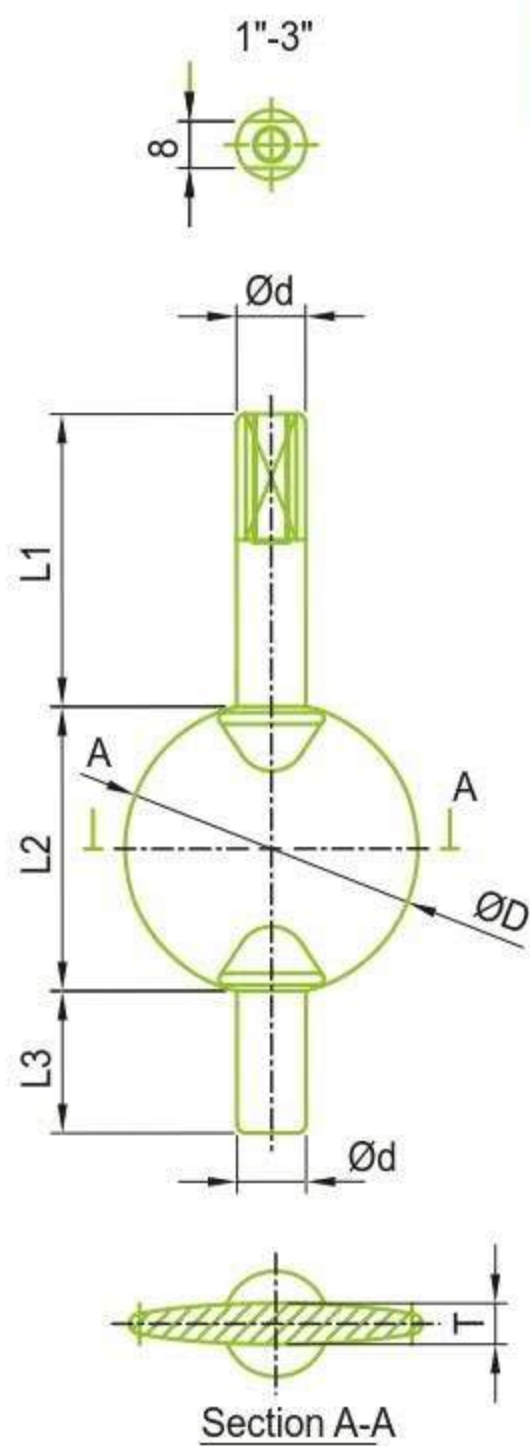
DIN Male part - nut and liner

Size	L mm	L1 mm	L2 mm	H mm
DN25	68	22	29	61
DN34	76	25	32	64.3
DN40	76	26	33	66.7
DN50	80	28	35	74.3
DN70	82	32	40	81.5
DN85	84	37	45	91.6
DN100	88	44	54	101.7

BUTTERFLY VALVE SEAL / DISC 碟閥密封圈 / 碟片

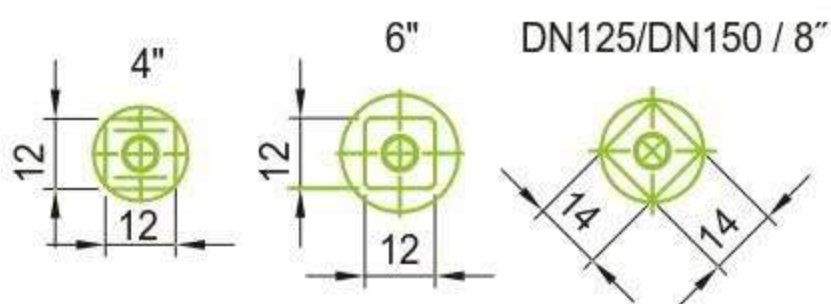


Size	A mm	B mm	C mm	H mm	d mm
1.0"	21	38.1	19.2	23	11
1.5"	34	51.8	33	23	10.8
2.0"	48.5	65.9	45	23	10.8
2.5"	58.5	75.9	57	23	10.8
3.0"	69.5	88.4	67.5	25	10.8
4.0"	98.6	121	95.6	29	15.2
6.0"	144.5	172	139.5	31.5	19.2
8.0"	195.4	220	192	29.3	20
DN40	37.4	54.9	36	23	10.8
DN85	79	99.5	74	28.9	15.2
DN125	124	150.5	123	30.8	17



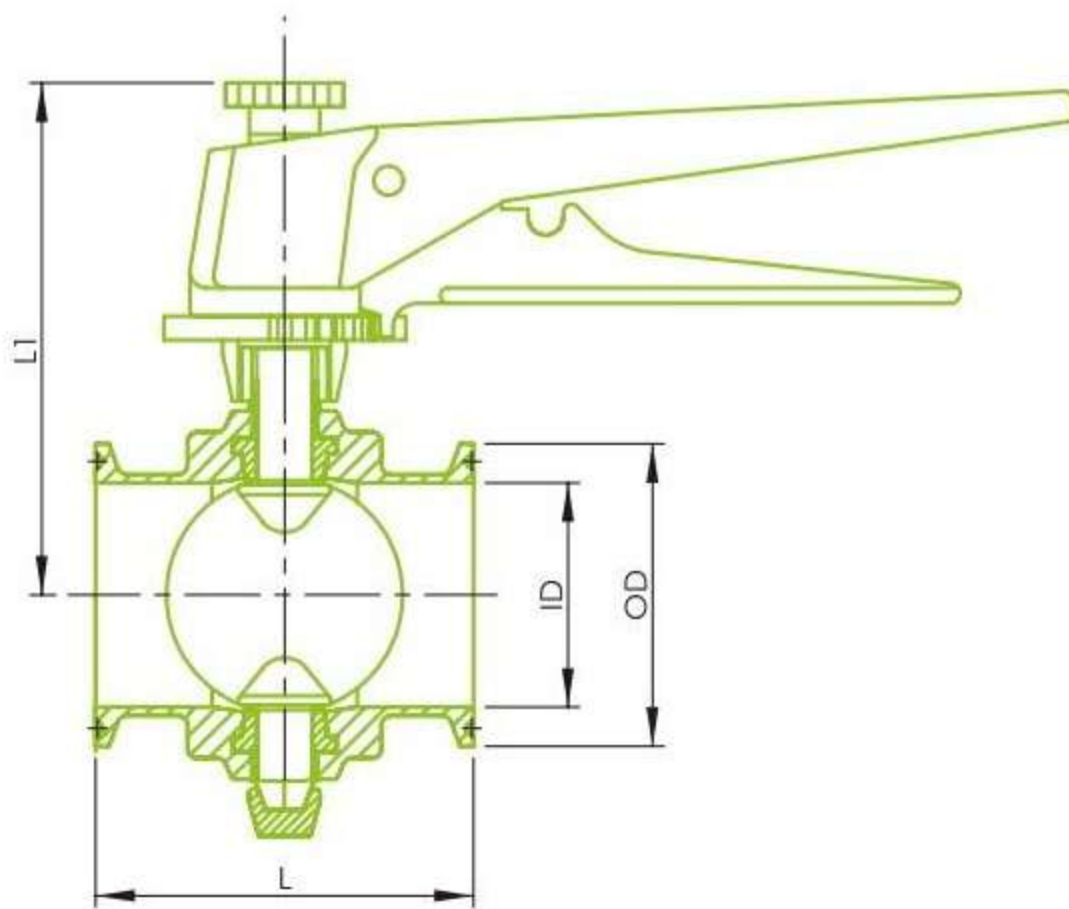
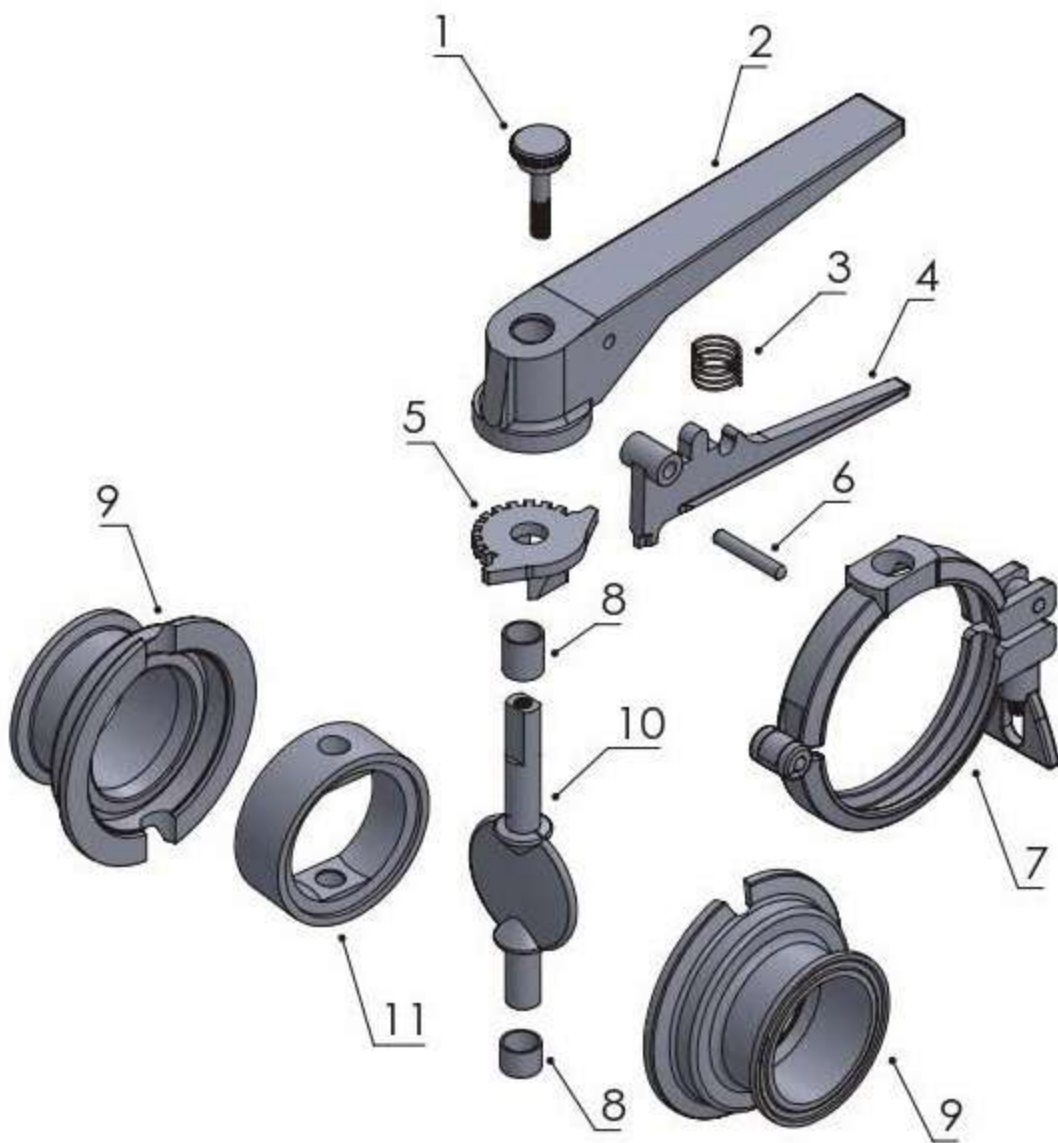
SIZE	PART NUMBER				
	EPDM	SILICON	SILICON (朱紅)	SILICON (灰)	VITON
1.0"	760100-0612100	760100-0613100	760100-0614100	760100-0615100	760100-0611100
1.5"	760100-0612140	760100-0613140	760100-0614140	760100-0615140	760100-0611140
2.0"	760100-0612200	760100-0613200	760100-0614200	760100-0615200	760100-0611200
2.5"	760100-0612240	760100-0613240	760100-0614240	760100-0615240	760100-0611240
3.0"	760100-0612300	760100-0613300	760100-0614300	760100-0615300	760100-0611300
4.0"	760100-0612400	760100-0613400	760100-0614400	760100-0615400	760100-0611400
6.0"	760100-0612600	760100-0613600	760100-0614600	760100-0615600	760100-0611600
8.0"	760100-0612800	760100-0613800	760100-0614800	760100-0615800	760100-0611800
DN40	760100-0618140	760100-0617140	760100-0621140	760100-0619140	760100-0620140
DN85	760100-0618NE0	760100-0617NE0	760100-0621NE0	760100-0619NE0	760100-0620NE0
DN125	760100-0618500	760100-0617500	760100-0621500	760100-0619500	760100-0620500

Size	ØD mm	Ød mm	L1 mm	L2 mm	L3 mm	T mm
1.0"	22.5	11.8	51.5	19	26	4.5
DN34	32.5	11.8	48.5	29.5	22.5	6.2
1.5"	36	11.8	47.3	33.9	21.8	6.2
DN40	39	11.8	48.1	37.2	22.7	6
2.0"	50	11.8	50	48.6	24.3	7
2.5"	60	11.8	48.2	58.8	23	8.3
DN70	64.5	11.8	49.8	63.4	27.8	8
3.0"	70.5	11.8	50	69.5	23.5	8.5
DN85	79.6	16	52.9	77.4	29.4	11.5
4.0"	99.6	16	52.9	97.7	29.1	12
DN125	125	17.5	54	124.4	36	18
6.0"	144.5	19.7	62	143.1	38.5	16
DN150	150	17.5	56.3	149.7	40.3	18
8.0"	195.5	19.9	61.6	193.7	38	8



BUTTERFLY VALVE CLAMP ASSEMBLING WITH FERRULE ENDS

夾帶型夾式碟閥



NO	PART NAME	QTY	MATERIAL
1	Screw	1	SS304
2	Handle	1	Nylon Or SS304
3	Spring	1	SS304
4	Girpper bar	1	SS304
5	Notch plate	1	SS304
6	Pin	1	SS304
7	Clamp	1	SS304
8	Bush	2	PE
9	Body	2	SS304/SS316L
10	Disc	1	SS304/SS316L
11	Seal	1	EPDM/SILICON/VITON

Size Inch	ID mm	OD mm	L mm	L1 mm	PART NUMBER Silicon
1.5"	35.7	50.50	60	95	1601AA5-001144/7
2.0"	47.8	64	60	108.3	1601AA5-001204/7