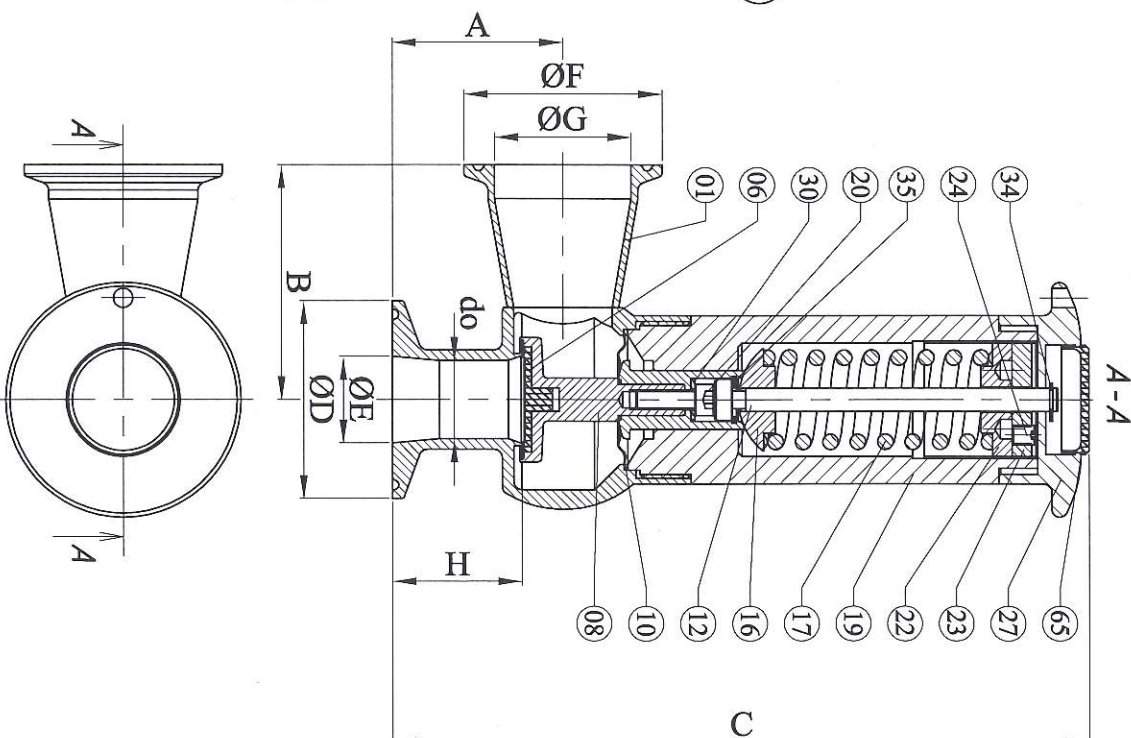
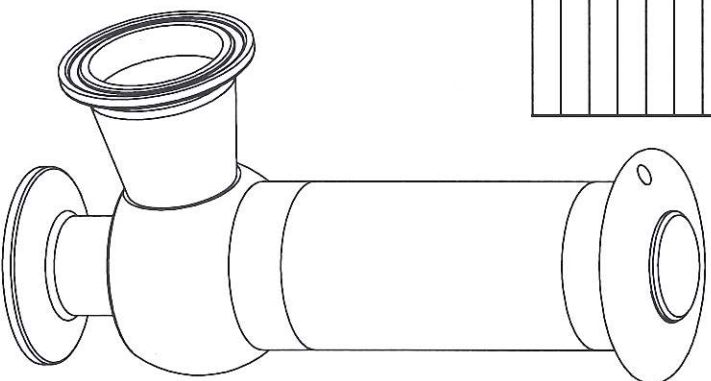


Rp Nb	DESIGNATION	MATIERE/MATERIAL
01	CORPS	1.4435 / BN2
06	PASTILLE CLAPET	EPDM / FKM/*
08	CLAPET	1.4435 / BN2
10	MEMBRANE	PTFE
12	TIGE	1.4435 / BN2
16	COUPELLE INFERIEURE	1.4435 / BN2
17	RESSORT	1.4435 / BN2
19	FUT	1.4435 / BN2
20	VIS DE CLAPET	INOX / STAINLESS STEEL
22	VIS DE REGLAGE	1.4435 / BN2
23	CROUOU VIS REGLAGE	1.4435 / BN2
24	VIS SANS TETE	1.4404/AISI 316L
27	BOUCHON	1.4435 / BN2
30	RONDELLE	INOX / STAINLESS STEEL
34	CIRCLIPS SUPERIEUR	INOX / STAINLESS STEEL
35	CIRCLIPS INFERIEUR	INOX / STAINLESS STEEL
65	CAPSULE	PTFE

- BOUCHON RELEVABLE

- LIFTABLE PLUG



- RACCORDEMENT ENTRE/SORTIE:  
RACCORD TRI-CLAMP ASEPTIQUE DIN 11866  
SERIE C SELON ASME BPE 2009

-Ra 0,38 INTERIEUR / Ra 0,8 EXTERIEUR

-AUTRES CONDITIONS DE SERVICE, RACCORDEMENTS ET  
MATERIAUX SUR DEMANDE \*

-MATERIEL CONFORME A LA DIRECTIVE 97/23/CE  
& ATEX 94/9/CE

HOMOLOGATIONS:  
-FDA  
-USP

- CONNECTIONS INLET/OUTLET:  
CLAMP DIN 11866 SERIE C (IMPERIAL) ASME BPE

Ra 0,38 INTERNAL / Ra 0,8 EXTERNAL

-OTHER WORKING CONDITIONS, CONNECTIONS  
AND MATERIALS ON REQUEST\*

-MATERIAL CONFORM TO DIRECTIVE 97/23/EC  
& ATEX 94/9/CE

HOMOLOGATION:  
-FDA  
-USP

do	RACCORDEMENT CONNECTOR					A	B	C	H	P.D.O (bar) SET PRESSURE MINI 1 bar g Maxi	SECTION DE PASSAGE CROSS SECTION (mm2)	MASSE WEIGHT (Kg)
	ENTREE INLET	ØD (mm)	ØE (mm)	SORTIE OUTLET	ØF (mm)							
do 10	3/4" C	Ø25	Ø15.75	3/4" C	Ø25	Ø15.75	32.5	39.5	122	26	10	0.40
do 15	3/4" C	Ø25	Ø15.75	1" C	Ø50.5	Ø22.1	34.5	45	138	27	10	0.47
do 20	1" C	Ø50.5	Ø22.1	1.1/2" C	Ø50.5	Ø34.8	43.5	60	178	34	10	1.00
do 25	1.1/2" C	Ø50.5	Ø34.8	1.1/2" C	Ø50.5	Ø34.8	43.5	60	185	31	10	1.39
do 50	2.1/2" C	Ø77.5	Ø60.2	3" C	Ø91	Ø72.9	80	120	344	52	10	12.89

CE DOCUMENT PEUT ETRE MODIFIE SANS AVIS PREALABLE  
ALL SPECIFICATIONS SUBJECT TO CHANGE WITHOUT NOTICE

C	1802/16	MISE A JOUR	GAUDILLER	SCMUNCK
		<b>SOUPAPE DE SURETE BIOTECH</b> <b>SAFETY RELIEF VALVE BIOTECH</b> TYPE B2		
537 Impulse Les vallées 69380-CHRESSY-VALES-MINES Tél. 33 (0)4 78 43 91 52 Fax. 33 (0)4 78 43 91 01 www.hvalves.com		<b>BIOB2C</b>		

do - 10 / ... / 50 - CLAMP